



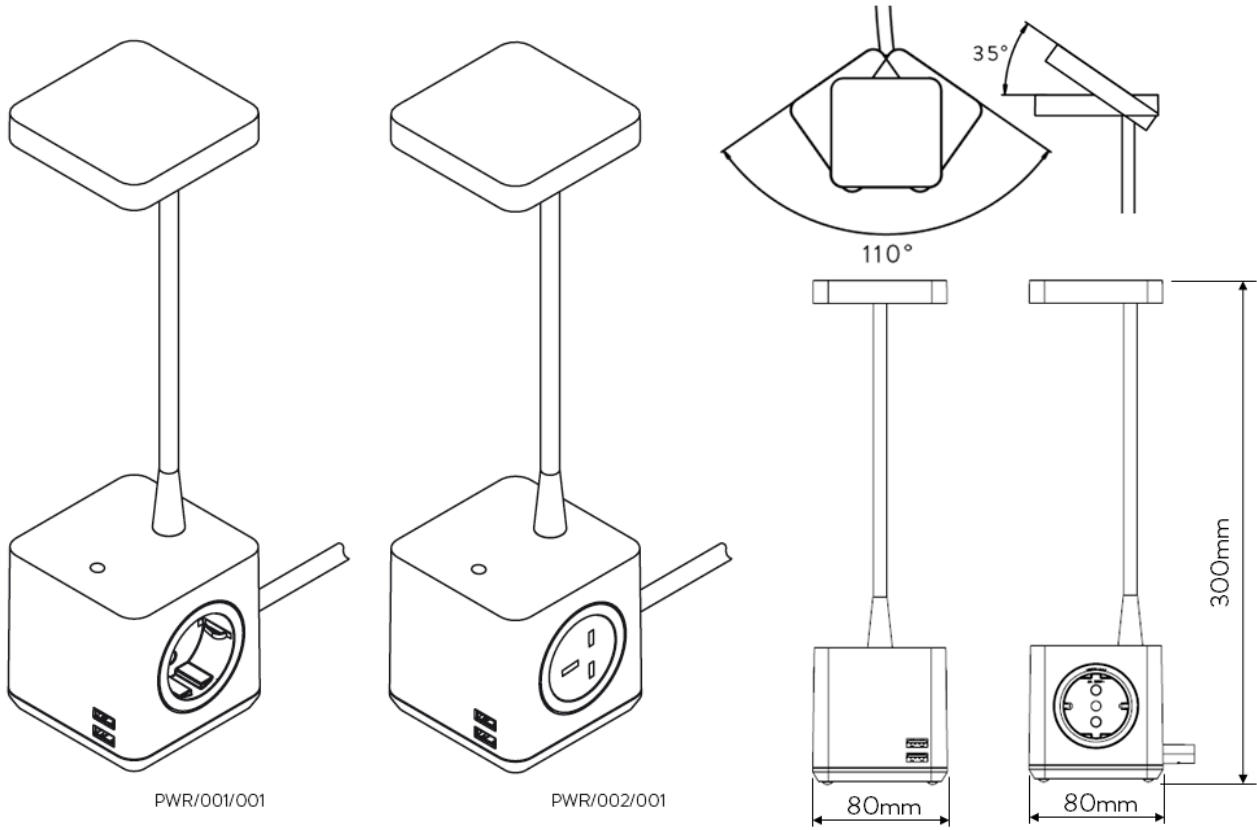
TECHNICAL SPECIFICATION SHEET

PRODUCT NAME: **Cubert** personal light, power and charging

PRODUCT CODE: PWR/001/001/W (Schuko version)

PWR/002/001/W (UK version)

Doc Rev1. 03.02.15. KO



KEY FEATURES

- Ultra-compact size. Small footprint occupies minimal tabletop space
- High efficiency LED light with four brightness settings and tilt / turn light head
- 2 x mains power sockets for connection and charging of mains powered devices
- 2 x USB charging sockets for direct charging of smartphones, tablets and other USB devices
- USB sockets feature smart charging technology which supplies higher 'fast charge' current to the first device to be connected
- Integrated surge protection

SPECIFICATIONS

Lighting



Electrical



SPECIFICATIONS continued

Product Classification: Power and Lighting

Build level: #A

Recycled content: tbc

Total product recyclable: tbc

Physical Specifications:

Product Dimensions: H 300mm x W 80mm x D 80mm

Light head tilt angle: 35°

Light head rotation angle: 110° (55° either side of centre position)

Mains cable length: 1800mm

Product colour: White (with grey cable and details)

Lighting Specifications:

Light source: LED Cree XB-D

Light output: 426 lumen, 4-stage dimmable.

Light Watts: 5W

Light efficacy: 78lm/W

CRI: 80ra

Colour temperature: 4000K Cool White

Beam angle: 115°

Lifespan: 50,000+ hours

Electrical Specifications:

	<u>PWR/001/001 (Schuko version)</u>	<u>PWR/002/001 (UK version)</u>
Mains power input:	100-240V AC, 14A, 50/60Hz	100-240V AC, 13A, 50/60Hz
Mains power output:	2 x 100-240V AC, 6A max, 50/60Hz	2 x 100-240V AC, 5A max, 50/60Hz
USB output:	1 st socket 5V, 1.5A DC*	1 st socket 5V, 1.5A DC*
	2 nd socket 5V, 0.5A DC*	2 nd socket 5V, 0.5A DC*

Note* Smart charging technology supplies maximum fast charge current to first connected device

LOGISTICAL

Box contains	Cubert light/charger unit with hardwired mains cable and plug.
Product net weight:	0.96kg
Box dims (LxWxD)	370 x 180 x 120 mm
Box gross weight	1.41 kg
Carton quantity	4
Carton dims (LxWxD)	397 x 387 x 286 mm
Carton weight	6.22 kg
Country of origin	China

ORDERING INFORMATION

<u>Colour</u>	<u>Socket/plug type</u>	<u>Product code</u>	<u>EAN</u>
White	Schuko	PWR/001/001/W	5060270824176
White	UK	PWR/002/001/W	5060270824183

WARRANTY

Warranty Term	1 year
---------------	--------

COMPLIANCE & SAFETY CERTIFICATION

Cubert has been independently tested for compliance with the following standards:

IEC/EN 60950	Information technology equipment – Safety
IEC/EN 60598	Luminaires – General requirements and tests
IEC/EN 61347	Lamp control gear – General and safety requirements
IEC/EN 62471	Photobiological safety of lamps and lamps systems
IEC/EN 60884	Plugs and socket outlets for household and similar purposes
EN 55015	Limits and methods of measurement of radio disturbance characteristics of electrical lighting and similar equipment
CE-7	Schuko plug and socket standard
BS 1363	UK plug and socket standard

INTERNAL TEST MEASURES

In addition to the third-party testing for electrical & lighting certification, Cubert is subject to a number of in-house physical test procedures, including:

Light head: Tilt movement: 6000 cycles of movement
 Rotation movement: 6000 cycles of movement
Mains sockets: Plug in / pull out: 3000 cycles per socket

ENVIRONMENTAL

Material type	Material type	% PIR of	% PCR of	% of total product
Weight		total weight	total weight	recyclable

Data to be confirmed

CLEANING, STORAGE & MAINTENANCE

Routine servicing	Periodic inspection
Service components	No user serviceable components
Cleaning & Maintenance	Damp cloth, no abrasives, no solvents to be used on the cosmetic surfaces. IMPORTANT: Always disconnect from power source when cleaning.
Handling & Storage	Do not drop or expose to moisture

Colebrook Bosson Saunders (Products) Ltd accept no liability for the accuracy of the information contained herein and retain the right to modify the specifications or data contained herein without prior notification.